

DATA SIGNS (AUSTRALIA) TIMELINE

Data Signs (Australia), a family business, commenced manufacturing in 1976 as a Programmable Message Sign manufacturer. Arnold Venema (CEO) started the company with his father, Arend Venema.

Our product range has progressed through the years as Data Signs has endeavoured to embrace the very latest in LED technology to become a leader in all facets of electronic sign manufacturing. We are known in the industry for our exceptional reliability and innovative products; both in terms of hardware design and functionality.

Data Signs' continued growth has been attributed to its ability to respond to customer-specific requirements.



Rev. Arend Venema
28th October, 1929 – 2nd January, 2006



Mr. Arnold Venema
Late 1970's

1976
Data Signs, a family business, commenced manufacturing in 1976 as a Programmable Message Sign manufacturer.



2000

Data Signs moves into a factory in Vella Drive, Sunshine VIC.



2008

VMS Fleet Manager software developed and released, to remotely track and update Data Signs VMS.

Data Signs opens Service Centre in Minto, NSW.

A court proceeding between Data Signs Pty Ltd and Bartco Traffic Equipment was settled out of court in favour of Data Signs.



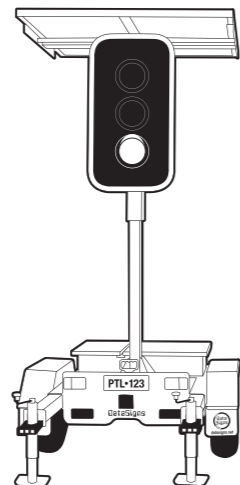
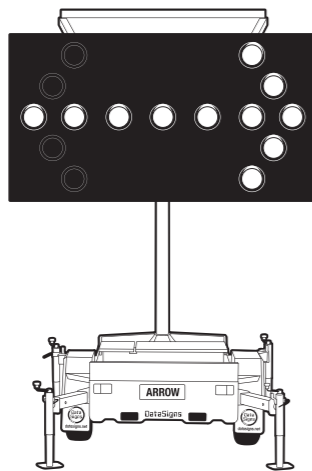
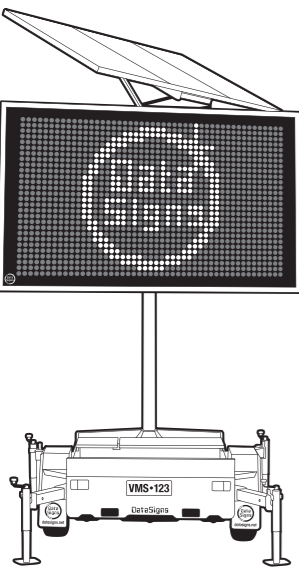
2010

Data Signs develops and releases the world-first five colour Variable Message Sign

Data Signs develops and releases its own Portable Traffic Light Controllers and Remote Control unit.

2014

Data Signs opens a new large Assembly Plant in Ormeau, Queensland.



1976

1995

2000

2005

2010

2015



1976 to 1995
Developed first incandescent then LED-based single and multi-line signs for various applications.



2002
Geelong College outdoor scoreboard installation, Illawarra Turf Club signage installation.

1994

Taxi Sign installation in over 1000 taxis in Victoria, completed job late 1996.



2003
Call System developed and installed for Virgin Blue, Brisbane Airport.

2006

Data Signs moves into a larger facility in Grace Court, Sunshine West, Victoria.



Data Signs exports VMS to Dubai for the construction of the tunnel to Atlantis Hotel.



2009

Department of Transport in UAE awards tender through our agent AMG for purchase of a large quantity of VMS400 just in time for the first Abu Dhabi Formula 1 held at Yass Island.



2007
Data Signs opens Service Centre in Yatala, QLD.



2012

WebVMS released, a web-based application to track, monitor and control Data Signs' products

2013
Data Signs' Portable Traffic Lights receive Type Approval from the RMS in New South Wales.

ISO 9001 certification awarded to Data Signs

