



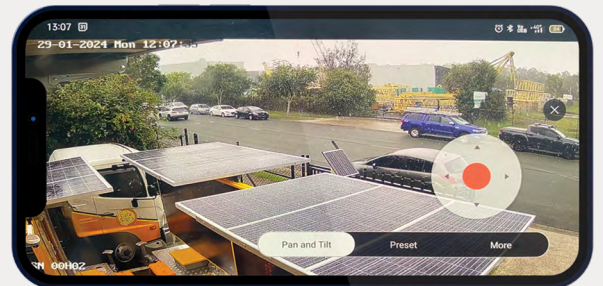
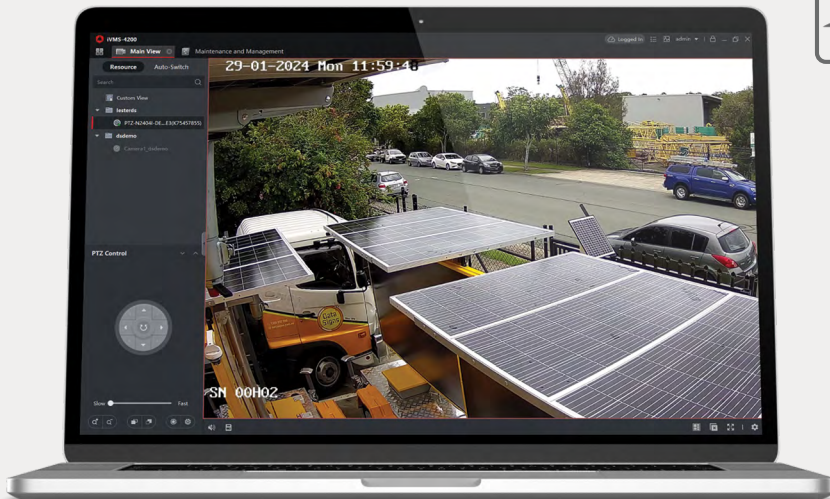
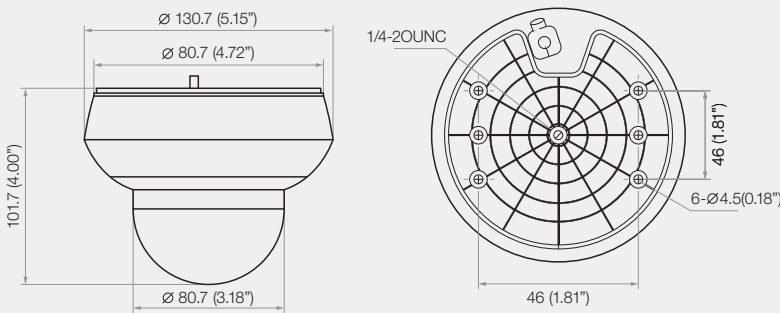
4MP 4X IR NETWORK PTZ CAMERA

Camera Power control via DS-Live, to Control and conserve power.

4G Modem for Mobile network connection. (SIM supplied by user)

KEY FEATURES

- 1/3" progressive scan CMOS
- Up to 2560 x 1440 @ 25fps resolution
- Min. illumination:
Colour: 0.005 Lux @(F1.6, AGC ON)
B/W: 0.001 Lux @(F1.6, AGC ON)
0 Lux with IR
- 4 x optical zoom, 16 x digital zoom
- 120 dB WDR, 3D DNR, EIS, Regional Exposure, Regional Focus
- 12 VDC & PoE
- Up to 20 m IR distance
- IK10, IP66
- Support H.265+/H.265 video compression
- Built-in microphone





4MP 4X IR NETWORK PTZ CAMERA

SPECIFICATIONS

Camera Module	
Day & Night	IR Cut Filter
Digital Zoom	16 X
PTZ	
Movement Range (Pan)	0° to 355°
Movement Range (Tilt)	From 0° to 90°
Power-off Memory	Yes
Compression Standard	
Video Compression	Main Stream: H.265+/H.265/H.264+/H.264 Sub-stream: H.265/H.264/MJPEG Third Stream: H.265/H.264/MJPEG
Video Bitrate	32 Kbps to 16384 Kbps
SVC	Yes
Smart Features	
Basic Event	Motion Detection, Video Tampering Detection, Exception
Smart Event	Face detection, intrusion detection, line crossing detection, region entrance detection, region exiting detection, object removal detection, unattended baggage detection, audio exception detection
IR	
IR Distance	20m
Smart IR	Support
Image	
Max. Resolution	2560 X 1440
Image Enhancement	30 DNR, EIS, Regional Exposure, Regional Focus
Network	
Network Storage	Built-in memory card slot, support Micro SD/SOHC/SDXC, up to 256 GB; NAS (NFS, SMB/CIFS), ANR
Client	iVMS-4200, Hik-Central, Hik-Connect
Web Browser	IE 8 to 11, Chrome 31.0+, Firefox 30.0+, Edge 16.16299+
Interface	
Audio Interface	1-ch audio input (mic in/line in) and 1-ch audio output (line out) 1 built-in microphone
Network Interface	1 RJ45 10 M/100 M Ethernet, PoE
Power Output	12 VDC, max. 60 mA
General	
Power	12 VDC, 1.5 A (Max. 9.9 W, including max. 4.2 W for IR) PoE (802.3af), 36 to 57 vdc, 0.35 A (Max. 11.2 W, including max. 4.2 W for IR)
Working Temperature	-20°C to 60°C (-4°F to 140°F)
Dimensions	Φ 130.7 mm x 101.7 mm (Φ 5.15" x 4.00")
Weight	Approx. 0.53 kg (1.17 lb)

